

# Premium Security Products

## Dial and Ring Accessories



### Inserts for Large Knob, Convertible Dials

Self-stick, metallic escutcheon to cover the front of large knob, convertible style dials. White letters on a black background display the distinctive Sargent & Greenleaf logo.

For convertible dial without key cylinder—Part no. 7600-004

For convertible dial with key cylinder—Part no. 7600-003

### Key Cylinders for Dials

Disc tumbler cylinder to rekey or repair key locking, convertible style dials, or to convert non-key locking, convertible dials to a key locking function. Incorporates a standard Y13 keyway and five brass discs. When the cylinder is pushed into the dial, a spring-loaded brass retainer snaps into position to hold the cylinder in place. Order escutcheon (7600-003) separately. Keyed different only. Comes with two keys per cylinder.

Part no. 7600-005

Pin tumbler cylinder to rekey or repair D112 series key locking dials.

Incorporates a National D4291 keyway and four pairs of pin tumblers. Two set screws (both in the same hole) secure the cylinder from the underside of the dial. Comes with two keys per cylinder.

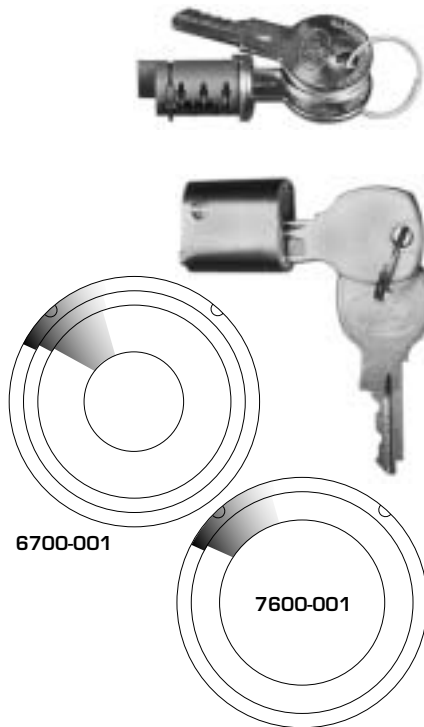
Part no. 7112-001

### Dust Covers

Clear plastic dust cover fits on Spy-Proof® dial rings. Recommended to deter certain types of surreptitious entry techniques. Required on all GSA security containers equipped with mechanical locks.

Fits on any R167 series dial ring (for large knob dial)—Part no. 7600-001

Fits on any R162 series dial ring (for small knob dial)—Part no. 6700-001



### Spindle Extension Kits

When a standard spindle isn't long enough, a spindle extension may be the answer. Make sure the safe door's spindle hole is large enough to accommodate the connecting collar. Each kit includes spindle extension, collar, and two special spline keys to connect extension to dial spindle.

Not available for 8400 series locks.

$\frac{5}{16}$ " - 40 X 6" (152.4 mm) Kit (.450" diam. collar)—Part no. 7312-001

$\frac{3}{8}$ " - 30 X 7" (177.8 mm) Kit (.510" diam. collar)—Part no. 7312-002

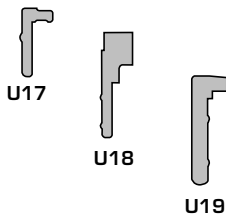
### Spline Keys

A spline key should be discarded and replaced with a new one any time it is removed from a lock. Only original S&G brass spline keys should be used in Sargent & Greenleaf locks.

For 6700 series and 8500 series locks—Part no. U17

For 8400 series locks—Part no. U18

For all vault locks—Part no. U19



### Dial Ring Bearing

The Delrin bearing inserts into the back of all S&G dial rings (except when used with D112 series dials) to provide a bearing surface for the dial.

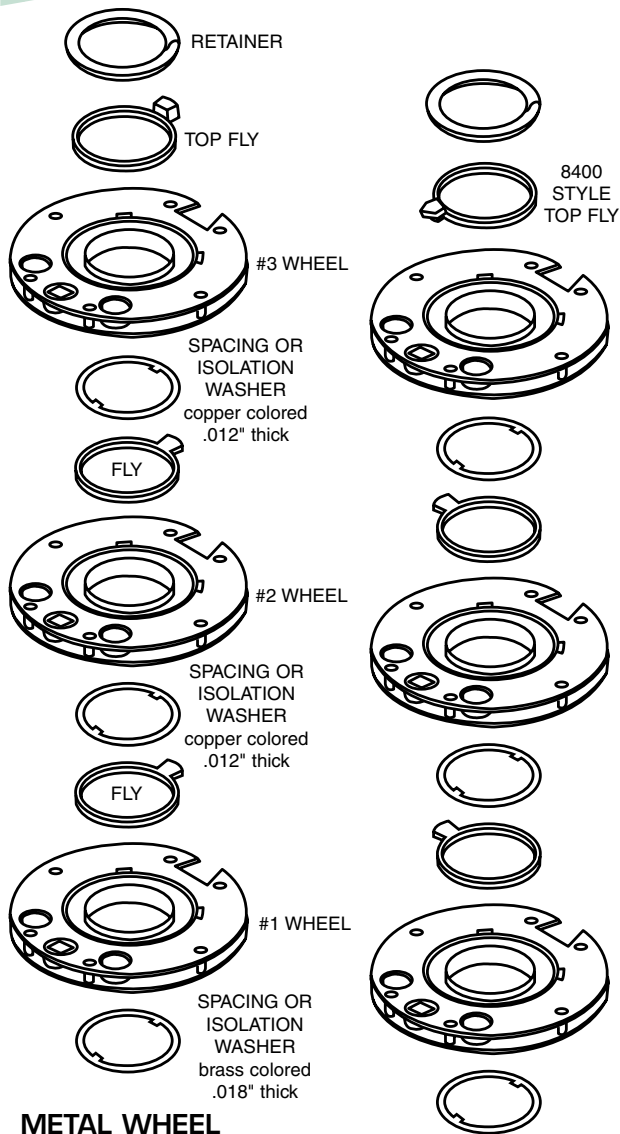
For all S&G dial rings—Part no. 7600-002



Sargent & Greenleaf, Inc.  
Over A Century of Security

Copyright 1999, Sargent & Greenleaf, Inc.

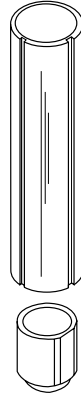
# Premium Security Products



**METAL WHEEL  
PACK FOR 6700  
AND 8500  
SERIES LOCKS**

**METAL WHEEL  
PACK FOR 8400  
SERIES LOCKS**

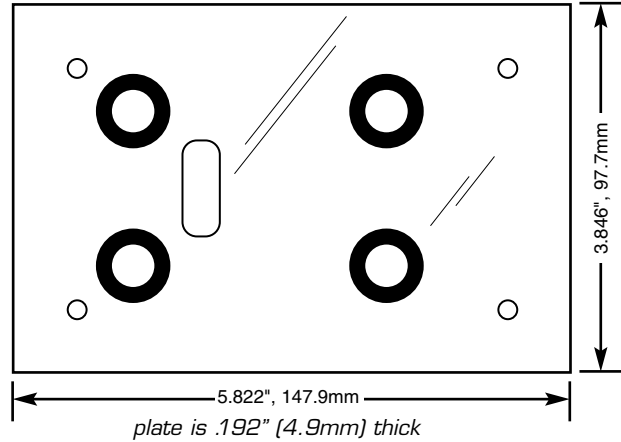
## U24 Tube Kit



A tube must be used with any lock mounted on an insulated safe that does not provide a barrier between the lock's spindle hole and the safe insulation. The tube prevents insulation from infiltrating the lock through the spindle hole.

The U24 kit is used to add a spindle tube to any current production 6630, 6730, or 8500 series lock. The kit will accommodate a maximum door thickness of 3.4 inches (86.5mm). Tubes for thicker doors by special order.

**Part no. U24**



## Armor Glass Relock Plate

The tempered glass plate is mounted between the lock and the safe door. Wires to passive relock devices are connected to the small holes at the corners of the plate. If the glass is broken in a burglary attack, the relock devices will engage. Grommets and aluminum spacers (included) protect the glass from mounting screws, and an elongated spindle hole compensates for mounting variations.

**Part no. 6217-001**

Wheel Material	Use with Lock Series	Wheel Pack No.	Comments
Brass & Aluminum	6730 and 8500 Series	9060-001	Standard metal wheel pack (3 wheels)
Brass & Aluminum	8400 Series	9060-003	Use only with 8400 series Group 1 locks
Acetal Resin	8500	9057-002	Use only with 8500 Group 1R locks
Acetal Resin	8400	9057-001	Use only with 8400 Group 1R locks

**Note:** Wheel packs used in 8400 series locks contain a special, pointed top fly. This component is critical to the proper operation of the lock.

